



## 5.8 GHz Grid parabolic dish Antennas

**Frequency:5725-5850MHz, gain:30dBi 27dBi 24dBi** , The grid parabolic dish Antenna features excellent front to back ratio. It is ideally suited for long-range highly directional 5.8GHz ISM and UNII band applications. These antennas are ideal for point to point systems, point to multi-point and wireless bridges.

This antenna's construction features a rust-proof die cast aluminum reflector grid for superior strength and light weight. This antenna's 2-piece reflector grid is simple to assemble and significantly reduces shipping costs. The grid surface is UV powder coated for durability and aesthetics. The open-frame grid design minimizes wind loading.

The antenna is supplied with a 60 degree tilt and swivel mast mount kit. This allows installation at various degrees of incline for easy alignment. It can be adjusted up or down from 0 to 60deg.

### Features:

- Excellent front to back ratio
- Die-cast aluminum construction
- UV stable light gray powder coat finish
- Easy to assemble
- All weather operation

### Applications :

- 5.8GHz UNII applications
- 5.8GHz ISM applications
- 5.8GHz Wireless LAN systems
- Long-range Directional Applications
- Point to Point, Point to Multi-point Sys



ZDAGP5800-30-6



ZDAGP5800-27-9



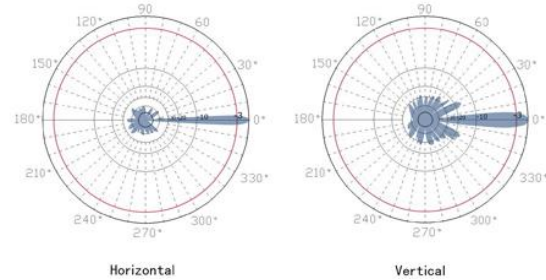
ZDAGP5800-24-12



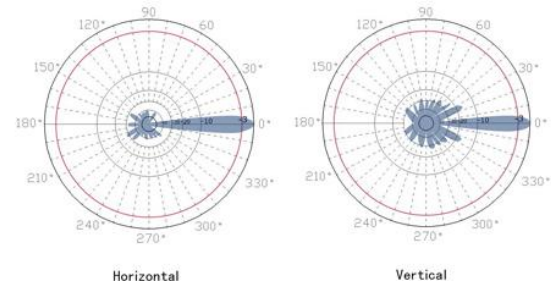
**5.8 GHz Gird parabolic dish Antennas**

**5725-5850MHz Gird parabolic dish antenna series specifications**

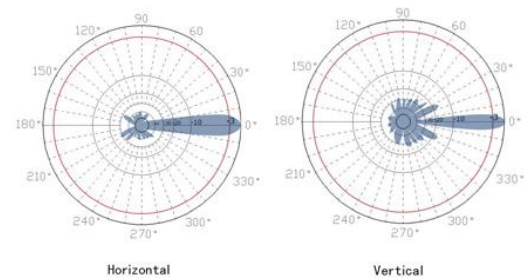
Model	ZDAGP5800-30-6	ZDAGP5800-27-9	ZDAGP5800-24-12
Frequency Range	5725-5850MHz	5725-5850MHz	5825-5850MHz
Gain	30dBi	27dBi	24dBi
Polarization	Vertical or Horizontal	Vertical or Horizontal	Vertical or Horizontal
Horizontal Beam Width	6°	9°	12°
Vertical Beam Width	4°	6°	9°
VSWR	<1.5	<1.5	<1.5
Front to back radio	>30dB	>26dB	>20dB
Input Impedance	50 ohm	50 ohm	50 ohm
Input Maximum Power	200 W	200 W	200 W
Lightning Protection	DC Ground	DC Ground	DC Ground
Connector	N female or customized	N female or customized	N female or customized
Size	23.62 x 35.43inches (600 x 900 mm)	23.62 x 15.7 inches (600 x 400 mm)	11.8 x 15.7 inches (300 x 400 mm)
Antenna Material	Aluminum Alloy	Aluminum Alloy	Aluminum Alloy
Radiating Electrical Material	Cu	Cu	Cu
Antenna Structure	Two piece design	Two piece design	
Operating Temperature	-40to 85° C (-40to 185° F)	-40to 85° C (-40to 185° F)	-40to 85° C (-40to 185° F)
Diameter of Installation Pole	1.2-2.3in. (30-60 mm)	1.2-2.3in. (30-60 mm)	1.2-2.3in. (30-60 mm)
Weight	7.7 lbs. (3.5 kg)	5.72 lbs. (2.6 kg)	3.96 lbs. (1.8 kg)
Wind Loading: 100MPH 120MPH	80lb. 116lb.	50lb. 82lb.	25lb. 37lb.



**ZDAGP5800-30-6 Patterns**



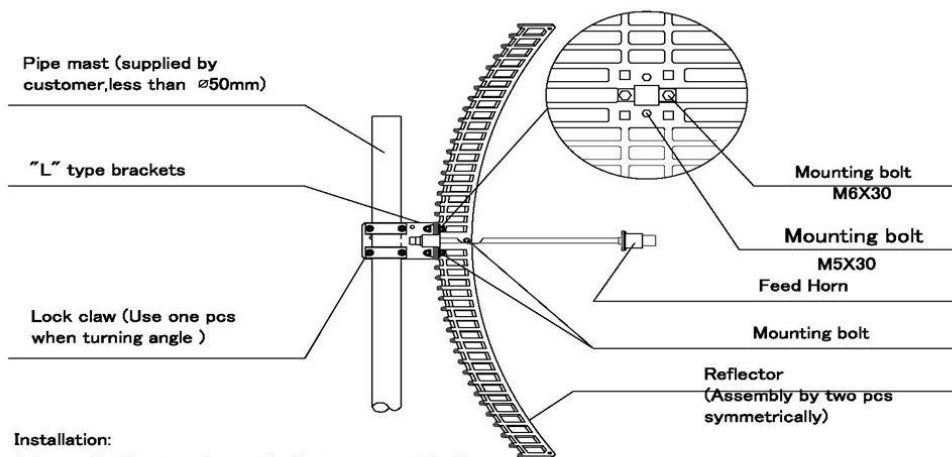
**ZDAGP5800-27-9 Patterns**



**ZDAGP5800-24-12 Patterns**

## 5.8 GHz Grid parabolic dish Antennas

### Mounting Diagram



#### Installation:

1. Assembly the two pieces of reflector symmetrically.
2. Mount the feed horn on the reflector according to the Mounting diagram.  
Make sure the feed dipoles polarization parallel with most bars of the grid reflector.  
When the feed dipoles polarization and most grid bars are vertical to the ground, the antenna is vertical polarized.  
When the feed dipole polarization and most grid bars are horizontal to the ground, the antenna is horizontal polarized.
3. Mount the "L" type bracket at the back of the reflector, then mount the antenna on the mast supplied by customer according to the Mounting diagram.
4. Test the antenna with equipment to make sure the antenna receive the best signal by turning the azimuth and pitching angle, then lock all the screws and seal the connector between antenna and cable.